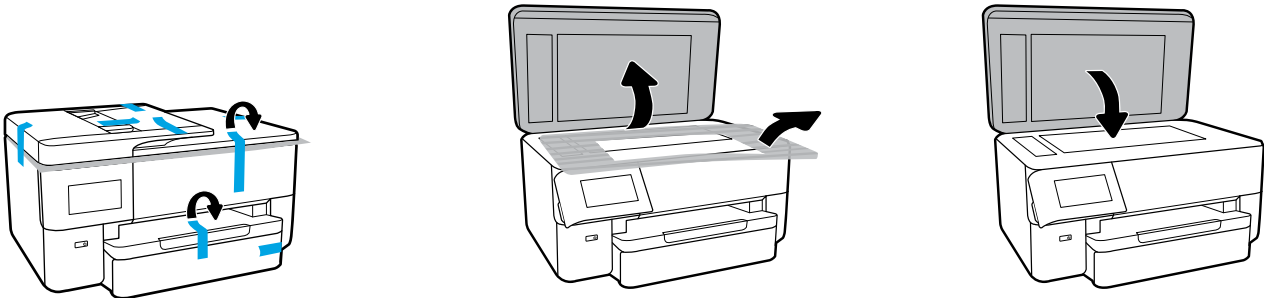
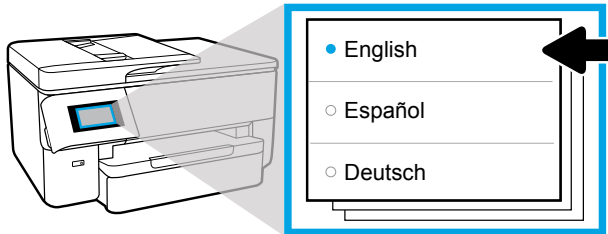
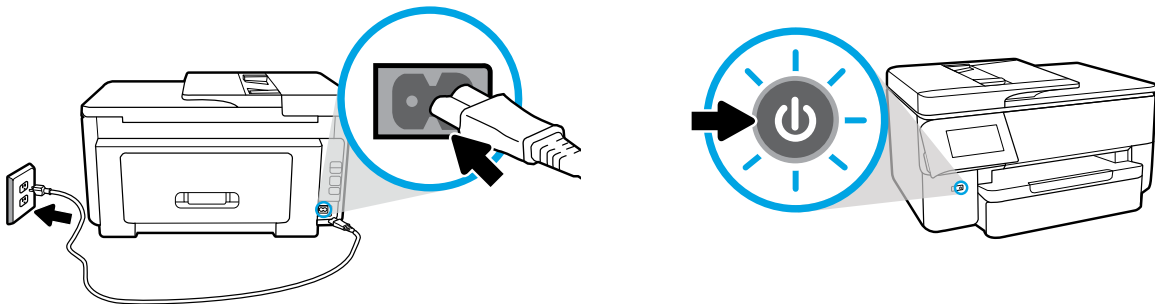




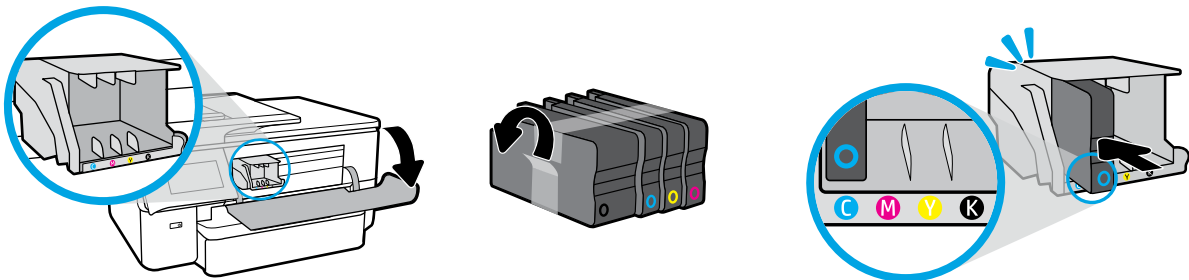
1

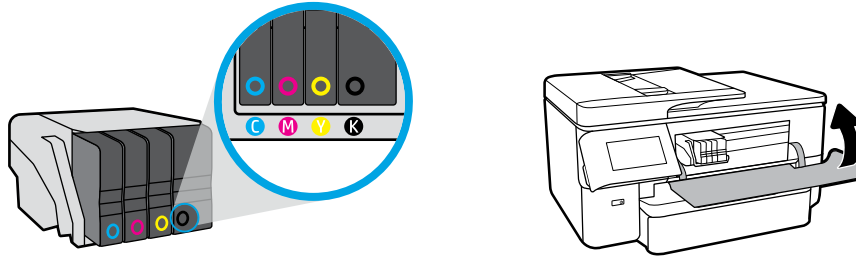


2

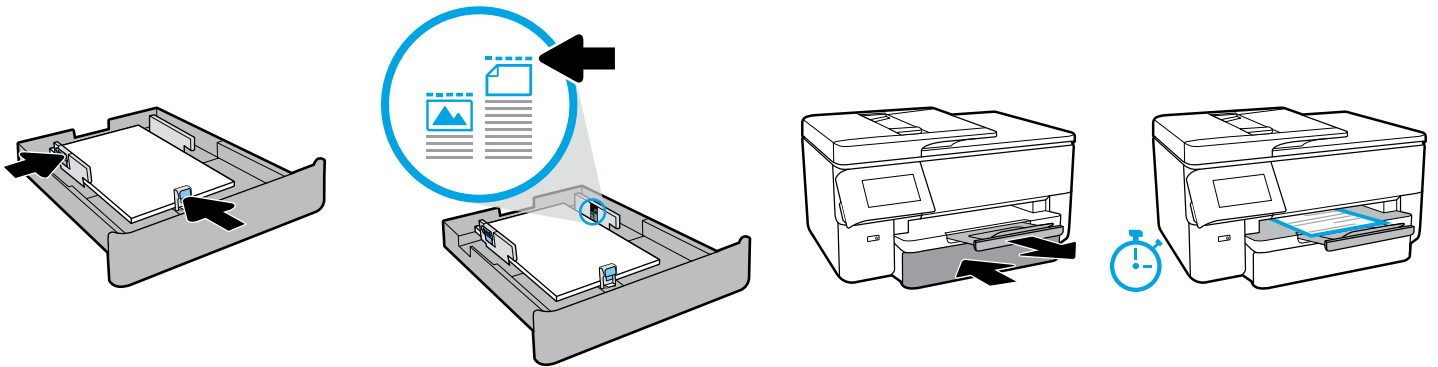
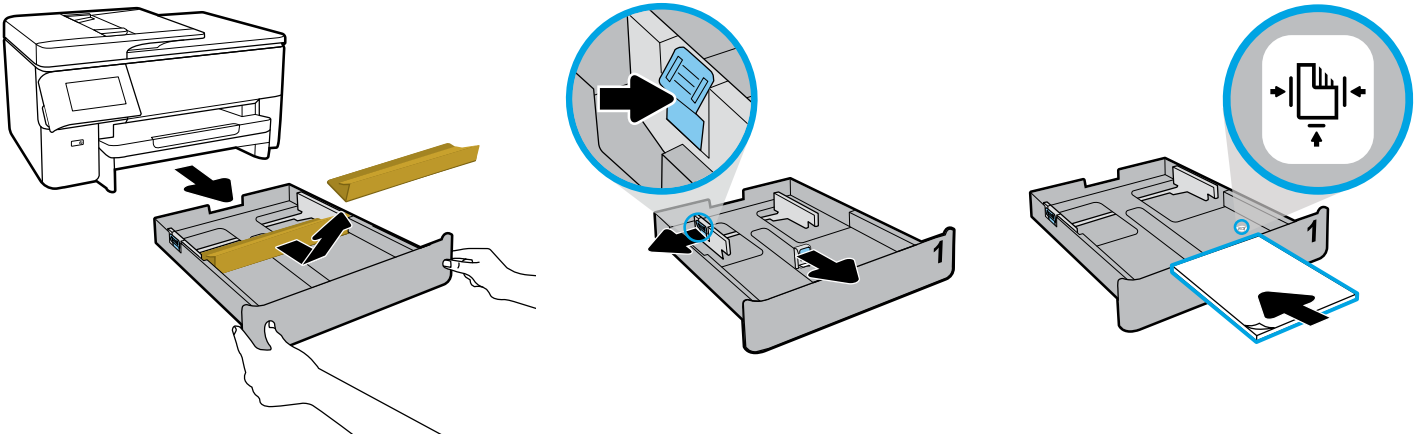


3

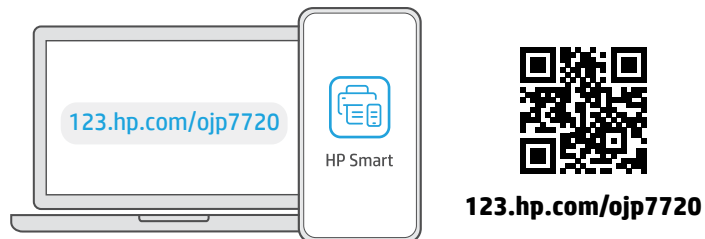




# 4



# 5



The Apple logo is a trademark of Apple Inc., registered in the U.S. and other countries.  
 App Store is a service mark of Apple Inc.  
 Android, Google Play, and the Google Play logo are trademarks of Google Inc.  
 Microsoft is a registered trademark of Microsoft Corporation in the United States and/or other countries.



Y0518-90042

Printed in [English]    Printed in [French]    Printed in [Spanish]  
 Printed in [ZHCN]    Printed in [Portuguese]    Printed in [Korean]

© Copyright 2020 HP Development Company, L.P.